



# Huizhou Hi-Zealed Electronic Co., Ltd.

Add: No.12, Jinling Road, Zhongkai Hi-tech Development Zone,  
Huizhou City, Guangdong, China 516006  
Tel: 86-752-2771789 Fax: 86-752-2771684  
Email: [hizealed@hi-zealed.cn](mailto:hizealed@hi-zealed.cn)  
Web: [www.hzleddriver.com](http://www.hzleddriver.com)

## 60W CV LED Driver HZD060BYI

### Product Features

- Constant voltage output. No min loads limitation, can load 1-60W.
- Class 2 LED power supply, Double-isolated.
- Short circuit, over current and over voltage protection. Efficiency up to 83% .
- 3 years quality warranty

### Technical Specifications

Model No.	Output Power	Input Voltage Range	AC Frequency	Standby Power	Output Current	On Load Voltage	Power Factor	Efficiency	Dimensions	Weight
HZD060B YI	60W	90-264V AC	50-60Hz	0.5A Max	5A	12V	0.6	87-89%	160*50*33mm	280g
					2.5A	24V				
					1.6A	36V				
					1.25A	48V				

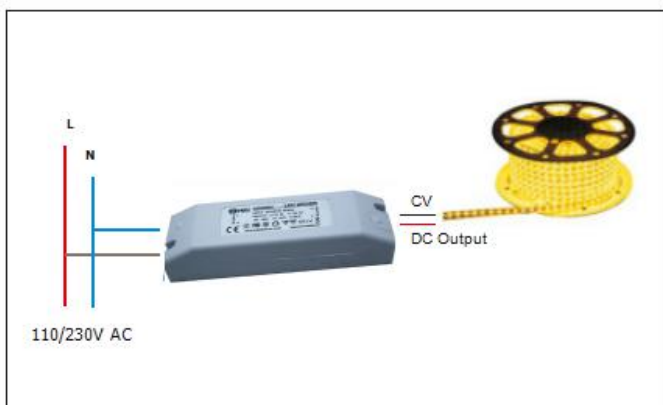
### Environmental Specifications

<b>Operating Temperature</b>	-30~45°C
<b>Storage Temperature</b>	-40~+70°C
<b>Thermal Dissipation</b>	Nature
<b>Relative Humidity</b>	5~95%
<b>Isolation Voltage</b>	In/Out 3000VAC
<b>Vibration</b>	5-55Hz/2g, 30 Minutes
<b>Life Time</b>	50000Hours, at TC max

### Conformity & Standards

<b>EMI</b>	EN55022 EN55015 Class B
<b>Safety</b>	EN60598
<b>Electromagnetic Immunity</b>	EN61547, ENV5024 EN61000-4-2/3/4/6/8/11
<b>Harmonic Current Emissions</b>	EN61000-3-2 EN61000-3-3

### Installation Introduction



### Dimensions Chart

